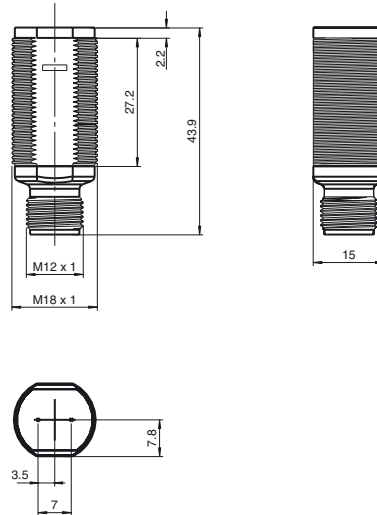




Dimensions



Model Number

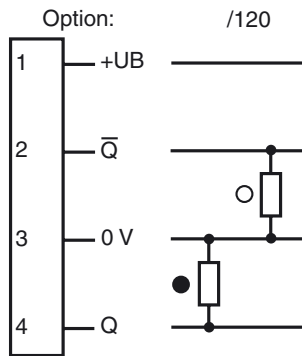
GLV18-6/73/120

Retro-reflective sensor
Plastic connector M12 x 1, 4-pin

Features

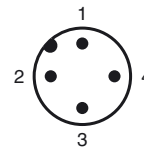
- Short design in M18 plastic housing
- 4 LEDs indicator for 360° all-round visibility
- Optimal price/power ratio

Electrical connection



○ = Light on
● = Dark on

Pinning according



Release date: 2008-01-30 09:27 Date of issue: 2008-01-30 188553_ENG.xml

Suitable reflectors and cable sockets can be found in the Internet

Subject to reasonable modifications due to technical advances.

Printed in Germany

Technical data

General specifications

Effective detection range	0 ... 6.5 m
Reflector distance	0.05 ... 6.5 m
Threshold detection range	8 m with reflector C110-2
Light source	LED, red 640 nm
Approvals	CE, cULus Listed 57M3 (Only in association with UL Class 2 power supply)
Reference target	reflector C110-2
Light type	red, modulated light
Diameter of the light spot	approx. 300 mm at 8 m
Angle of divergence	approx. 2 °
Optical face	frontal
Ambient light limit	30000 Lux

Indicators/operating means

Operating display	green LED, statically lit Power on
Function display	LED yellow: lights up, when receiving the light beam ; flashes when falling short of the stability control; OFF when light beam is interrupted

Electrical specifications

Operating voltage	10 ... 30 V DC
Protection class	II, rated insulation voltage \dot{U} 250 V AC with degree of pollution 1-2 according to IEC 60664-1
No-load supply current I_0	< 20 mA

Output

Switching type	light/dark switching
Signal output	2 pnp, antivalent, short-circuit proof, open collectors
Switching voltage	max. 30 V DC
Switching current	max. 100 mA
Voltage drop U_d	≤ 1.5 V DC
Switching frequency f	500 Hz
Response time	≤ 1 ms

Standard conformity

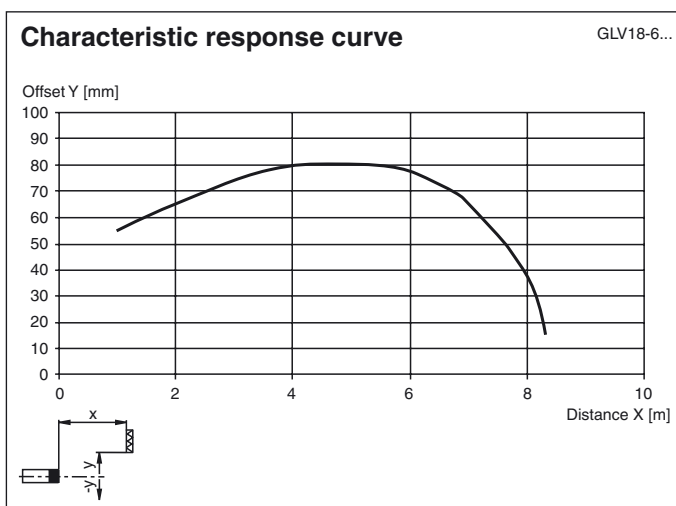
Standards	EN 60947-5-2
-----------	--------------

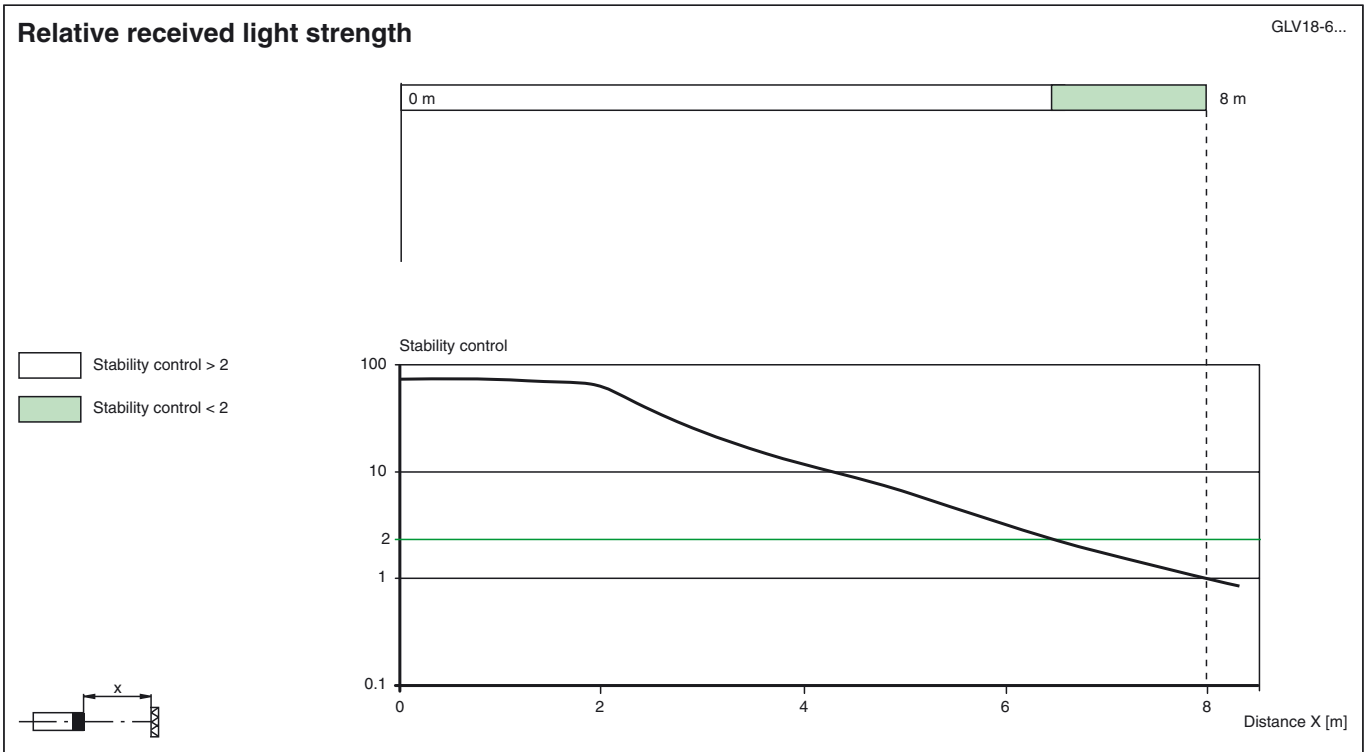
Ambient conditions

Ambient temperature	-25 ... 60 °C (248 ... 333 K)
Storage temperature	-40 ... 70 °C (233 ... 343 K)

Mechanical specifications

Protection degree	IP67
Connection	Plastic connector M12 x 1 ; 4-pin
Material	
Housing	PC
Optical face	PMMA
Mass	< 10 g





Release date: 2008-01-30 09:27 Date of issue: 2008-01-30 188553_ENG.xml