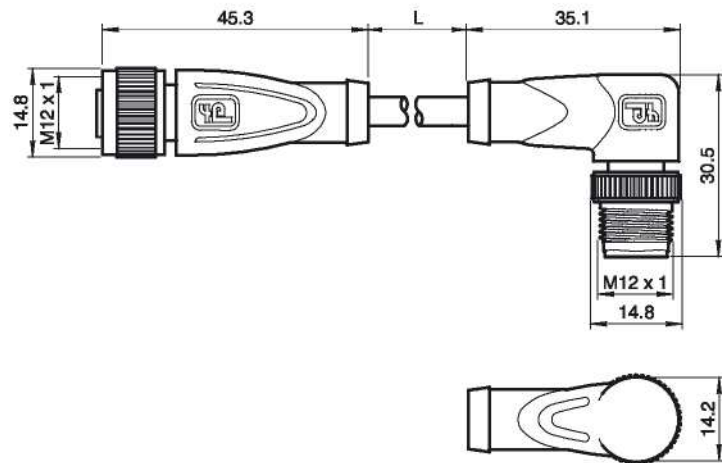




Dimensions



Model Number

V1-G-3M-PU R-ABG-V1-W

Connecting cable, M12 to M12, PUR cable 4-pin, shielded

Features

- Knurled nut suitable for tool assembly
- Immunity to vibration, with mechanical latching
- Screen put on the slotted nut
- Gold plated contacts
- Protection degree IP67 / IP68 / IP69K
- Halogen-free
oav

Technical data

General specifications

Number of poles	4 + shield
Connection 1	Connector, female
Construction type 1	straight
Threading 1	M12
Connection 2	Connector, male
Construction type 2	angled
Threading 2	M12
UL File Number	E231213

Electrical specifications

Operating voltage	max. 300 V DC
Test voltage	> 1500 V _{eff} AC
Operating current	max. 4 A
Volume resistance	< 5 m-

Ambient conditions

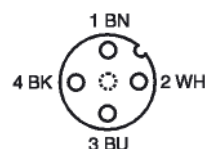
Ambient temperature	-25 ... 100 °C (248 ... 373 K) for temperatures over 80 °C (353 K) reduced elongation at tear
---------------------	--------------------------------------------------------------------------------------------------

Degree of soiling	3
-------------------	---

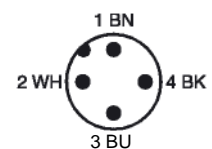
Mechanical specifications

Contact elements	spring-loaded contact socket
pin diameter	1 mm
Protection degree	IP67 / IP68 / IP69K
Material	
Contacts	CuSn / Au
Contact surface	Au
Handle	TPU, green
Cable	PUR
Slotted nut	diecast zinc
(Cap??-translator) connector	diecast zinc
Core isolation	PP
Cable	fine-strand, flexible
Sheath diameter	Ø4.8 mm
Bend radius	> 10 x conductor diameter, appropriate for conveyor chains
Colour	grey
Cores	4 x 0.34 mm ²
Conductor construction	19 x 0.15 mm Ø
Shield	Braid
Length	L 3 m
Flammability	
Contact material	94 V-2
Housing	94 V-2

Electrical connection 1



Electrical connection 2



Release date: 2008-04-29 08:31 Date of issue: 2008-04-29 201628_ENG.xml

Subject to reasonable modifications due to technical advances.

Sensotronic AB • Tel.: +46 44 200 800 • Fax +46 44 200 899 • E-mail info@sensotronic.se • Internet http://www.sensotronic.se