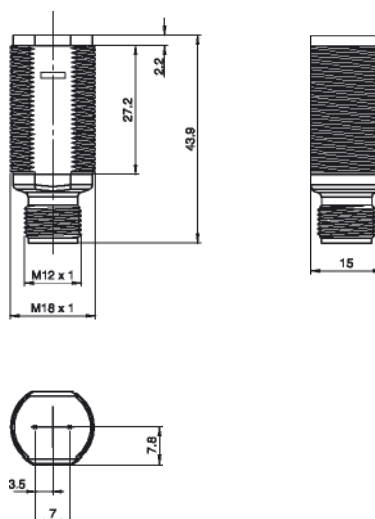




Dimensions



Model Number

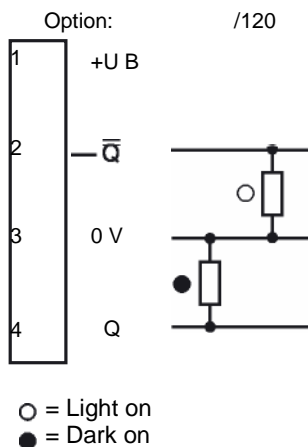
GLV18-55/73/120

Retro-reflective sensor with polarisation filter
Plastic connector M12 x 1, 4-pin

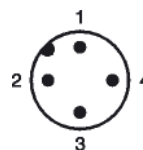
Features

- Short design in M18 plastic housing
- 4 LEDs indicator for 360° all-round visibility
- Optimised potentiometer design for a clear control button layout in the application
- Not sensitive to ambient light, even with switched energy saving lamps

Electrical connection



Pinning according



Release date: 2008-10-15 10:25 Date of issue: 2008-10-15 188559_ENG.xml

Suitable reflectors and cable sockets can be found in the Internet

Subject to modifications without notice

Sensotronic AB • Tel.: +46 44 200 800 • Fax +46 44 200 899 • E-mail info@sensotronic.se • Internet http://www.sensotronic.se

Technical data**General specifications**

Effective detection range	0 ... 4 m
Reflector distance	0.05 ... 4 m
Threshold detection range	5.5 m with reflector C110-2
Light source	LED, red 640 nm
Approvals	CE, cULus Listed 57M3 (Only in association with UL Class 2 power supply)
Reference target	reflector C110-2
Light type	red, modulated light
Diameter of the light spot	approx. 200 mm at 5.5 m
Angle of divergence	approx. 2 °
Optical face	frontal
Ambient light limit	30000 Lux
Accessories provided	Mounting aids

Indicators/operating means

Operating display	green LED, statically lit Power on
Function display	LED yellow: lights up, when receiving the light beam ; flashes when falling short of the stability control; OFF when light beam is interrupted

Electrical specifications

Operating voltage	U_B	10 ... 30 V DC
Protection class	II, rated insulation voltage \dot{U}	250 V AC with degree of pollution 1-2 according to IEC 60664-1 I0
No-load supply current		< 20 mA

Output

Switching type		light/dark switching
Signal output		2 pnp, antivalent, short-circuit proof, open collectors
Switching voltage		max. 30 V DC
Switching current		max. 100 mA
Voltage drop	U_d	~ 1.5 V DC
Switching frequency	f	500 Hz
Response time		~ 1 ms

Standard conformity

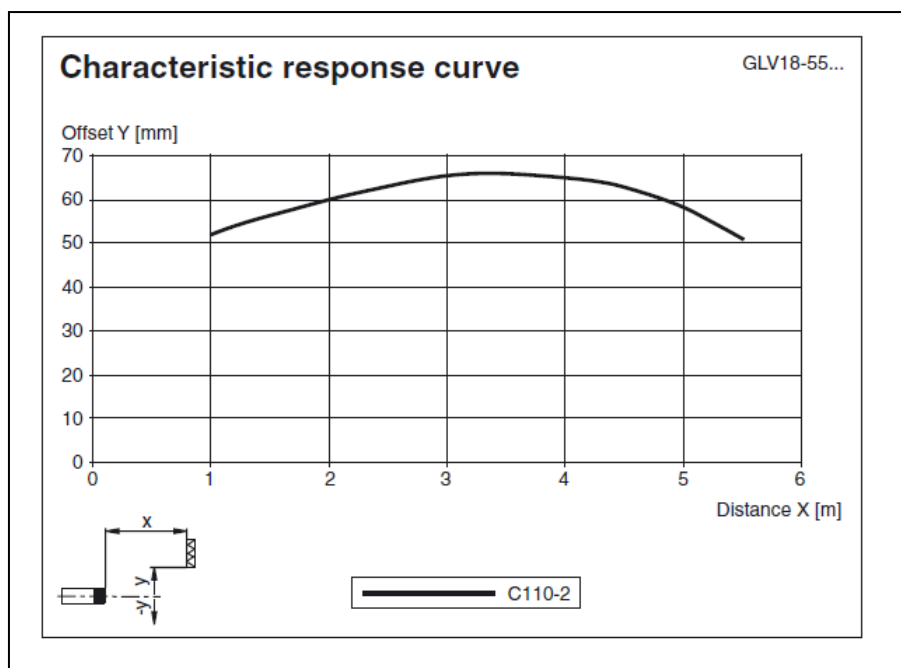
Standards	EN 60947-5-2
-----------	--------------

Ambient conditions

Ambient temperature	-25 ... 60 °C (248 ... 333 K)
Storage temperature	-40 ... 70 °C (233 ... 343 K)

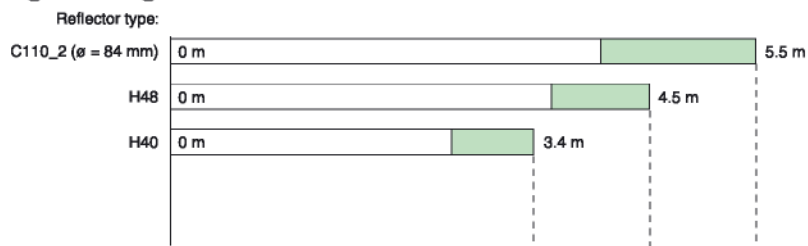
Mechanical specifications

Protection degree	IP67
Connection	Plastic connector M12 x 1 ; 4-pin
Material	
Housing	PC
Optical face	PMMA
Mass	< 10 g

Curves/Diagrams

Relative received light strength

GLV18-55...



- Stability control > 2
- Stability control < 2

