

## SACB-8/ 8-L-SC SCO P

Order No.: 1453025




<http://eshop.phoenixcontact.se/phoenix/treeViewClick.do?UID=1453025>

Sensor/actuator box, Connection method: M12-SPEEDCON-socket  
Plastic, Number of slots: 8, Number of positions: 4, Slot assignment:  
Single, Status indication: Yes, pnp; Master cable connection: Spring-  
cage conn. 180°, Shielding: No



### Commercial data

EAN	 4 046356 553643
Pack	1
Customs tariff	85444290
Gross weight in pieces	222.22 g
Catalog page information	Page 180 (PC-2011)

### Product notes

WEEE/RoHS-compliant since:  
2009-12-14



Please note that the data given here has been taken from the online catalog. For comprehensive information and data, please refer to the user documentation at <http://www.download.phoenixcontact.com>. The General Terms and Conditions of Use apply to Internet downloads.

### Technical data

#### General data

Rated voltage	24 V DC
Max. operating voltage $U_{max}$	30 V DC
Current carrying capacity per I/O signal	2 A
Current carrying capacity per slot	4 A
Total rated current	12 A

Number of positions	4
Number of slots	8
Degree of protection	IP65/67
Inflammability class according to UL 94	V0
Ambient temperature (operation)	-25 °C ... 80 °C
Sensor/actuator connection system	M12-SPEEDCON-socket

#### Local diagnostics function

Local diagnostics	Supply voltage Green LED
	Status display I/O Yellow LED

#### Master cable data

Connection method	Spring-cage conn.
Conductor cross section min. (signal)	0.2 mm <sup>2</sup>
Conductor cross section max. (signal)	0.5 mm <sup>2</sup>
Conductor cross section AWG min. (signal)	24
Conductor cross section AWG max. (signal)	20
Stripping length (signal)	6 mm
Conductor cross section min. (energy)	0.2 mm <sup>2</sup>
Conductor cross section max. (energy)	1.5 mm <sup>2</sup>
Conductor cross section AWG min. (energy)	24
Conductor cross section AWG max. (energy)	16
Stripping length (power)	10 mm
Stripping length	50 mm (Master cable)
Tightening torque, cover screw	1 Nm
Tightening torque, union nut	2.5 Nm
Tightening torque slot sensor/actuator cable	0.4 Nm
Tightening torque screw plug	0.4 Nm

#### Insulation material

Housing material	PBT
Material of the moulding mass	PUR
Contact material	Cu alloy
Contact surface material	Gold-plated
Contact carrier material	PA
Material of threaded sleeve	PBT
Material, O-ring	NBR

Sealing material	NBR (Connector hood)
<b>Pin assignment</b>	
Slot/position = Wire color or connection	1 / 4 (A) = WH
	2 / 4 (A) = GN
	3 / 4 (A) = YE
	4 / 4 (A) = GY
	5 / 4 (A) = PK
	6 / 4 (A) = RD
	7 / 4 (A) = BK
	8 / 4 (A) = VT
	1-4 / 1 (+ 24 V) = BN
	1-8 / 3 (0 V) = BU
	1-8 / 5 (PE) = GN/YE

**Certificates**



Certification cULus Recognized, GOST

Certifications applied for:

Certification Ex:

**Accessories**

Item	Designation	Description
<b>Cable/conductor</b>		
1503344	SACB- 8X0,34/ 3X0,75-50,0 PUR	Master cable for sensor/actuator boxes, with PE conductor, unshielded, material PUR/PVC, 11-pos., 8 x 0.34 mm <sup>2</sup> and 3 x 0.75 mm <sup>2</sup>
<b>General</b>		
3200218	A 0,5 - 6	Ferrule, Length: 6 mm, Color: silver
3200234	A 0,75-10	Ferrule, Length: 10 mm, Color: silver
3200250	A 1 -10	Ferrule, Length: 10 mm, Color: silver

### Marking

0804963	SS-ZB 17,5 WH	Contact marker – zack marker strip, Strip, white, Unlabeled, Can be labeled with: Plotter, Mounting type: Snap into flat marker groove, Lettering field: 17.5 x 8 mm
0824468	SS-ZB 17,5 WH CUS	Contact marker – zack marker strip, Can be ordered: Strip, white, Labeled according to customer specifications, Mounting type: Snap into flat marker groove, Lettering field: 17.5 x 8 mm
0804976	SS-ZB 17,5 YE	Contact marker – zack marker strip, Strip, yellow, Unlabeled, Can be labeled with: Plotter, Mounting type: Snap into flat marker groove, Lettering field: 17.5 x 8 mm
0824469	SS-ZB 17,5 YE CUS	Contact marker – zack marker strip, Can be ordered: Strip, yellow, Labeled according to customer specifications, Mounting type: Snap into flat marker groove, Lettering field: 17.5 x 8 mm

### Protection and sealing elements

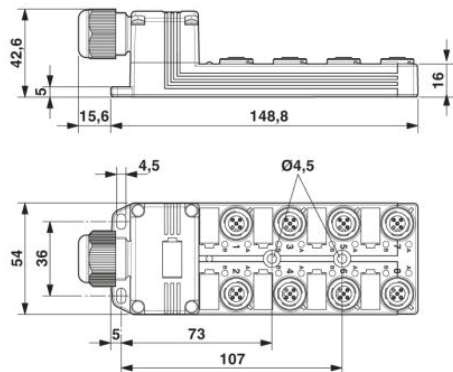
1553129	PROT-MS SCO	M12 screw plug with SPEEDCON quick locking for unoccupied M12 sockets of the sensor/actuator cables, boxes and flush-type connectors
---------	-------------	--

### Tools

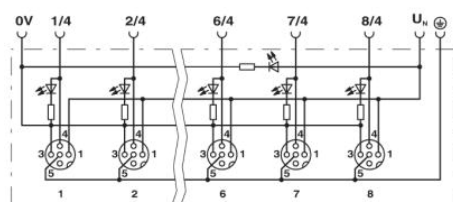
1212486	SAC BIT HOOD-W 24	Nut for assembling pressure nuts with 24 mm wrench size, for 4 mm hexagonal drive
1208445	SACC BIT M12-D20	Nut for assembling SACC M12 connectors for free assembly, excluding M12 connectors with QUICKON fast connection technology, for 4 mm hexagonal drive
1206463	SZK PZ2 VDE	Screwdriver, PZ crosshead, VDE insulated, size: PZ 2 x 100 mm, 2-component grip, with non-slip grip
1205202	SZS 0,4X2,0	Micro screwdriver, bladed, size: 0.4 x 2.0 x 60 mm, 2-component grip, with non-slip grip and twist cap
1208429	TSD 04 SAC	Torque screwdriver, with preset torque of 0.4 Nm and 4 mm hexagonal drive for M12 connectors
1212315	TSD 25 SAC	Torque screwdriver, with preset torque of 2.5 Nm and 4 mm hexagonal drive for the pressure nut of the connector hood
1212224	TSD-M 1,2NM	Torque screw driver, accuracy as per EN ISO 6789 standard, adjustable from 0.3 - 1.2 Nm
1212225	TSD-M 3NM	Torque screw driver, accuracy as per EN ISO 6789 standard, adjustable from 1.2 - 3 Nm
1212600	TSD-M SAC-BIT ADAPTER	Adapter bit for TSD-M...torque tools, E6.3-1/4" drive with 4 mm hexagon to accommodate SAC bits

## Drawings

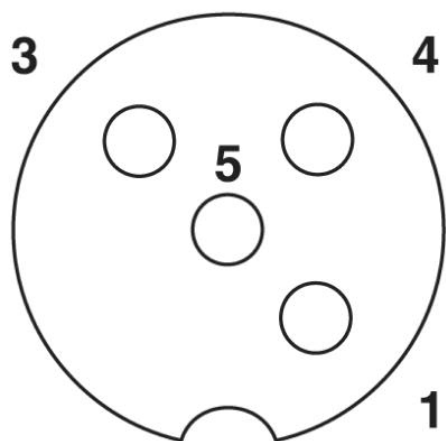
### Dimensioned drawing



### Circuit diagram



### Schematic diagram



M12 slot, socket, 4-pos.

**Address**

Phoenix Contact AB  
Linvägen 2  
14144 Huddinge, Sweden  
Phone +46 (0)8 - 608 64 00  
Fax +46 (0)8 - 608 64 99  
<http://www.phoenixcontact.se>

Phoenix Contact Oy  
Technical modifications reserved;