


# SACC-M12MR-5CON-PG 7-SH

Order No.: 1693429



Sensor/actuator connector, male, angled, 5-pos., M12, shielded, A-coded, screw connection, metal knurl, cable screw connection Pg7

Commercial data	
EAN	 4 017918 173524
Pack	1
Customs tariff	85366990
Catalog page information	Page 51 (PC-2009)

## Product notes

WEEE/RoHS-compliant since:  
2006-03-24



## Technical data

General data	
Rated current at 40°C	4 A
Rated voltage	60 V
Number of positions	5
Volume resistance	$\leq 3 \text{ m}\Omega$
Insulation resistance	$\geq 100 \text{ M}\Omega$
Ambient temperature (operation)	-40 °C ... 85 °C (Male connector / female connector)

**General characteristics**

Standards/regulations	M12 connector IEC 61076-2-101
Coding	A - standard
Surge voltage category	II
Pollution degree	3
Degree of protection	IP67
Contact material	CuZn
Contact surface material	Au
Contact carrier material	PA 66
Material of grip body	Zinc die-cast, nickel-plated
Material, knurls	Nickel-plated brass
Sealing material	NBR
Type of connection	Screw connection
Conductor cross section stranded min.	0.25 mm <sup>2</sup>
Conductor cross section stranded max.	0.75 mm <sup>2</sup>
Conductor cross section AWG/kcmil min.	24
Conductor cross section AWG/kcmil max	18
External cable diameter	4 mm ... 6 mm
Status display	No

**Certificates**

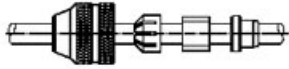
Certification

GOST

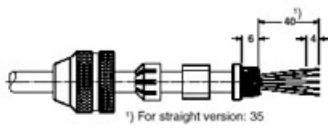
## Drawings

### Functional drawing

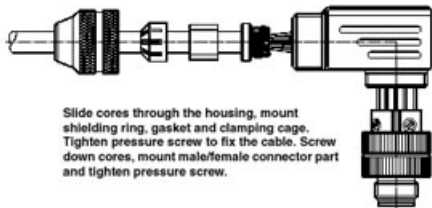
#### Assembly steps for M 12 male/female connector and conductor



Slide parts onto the conductor

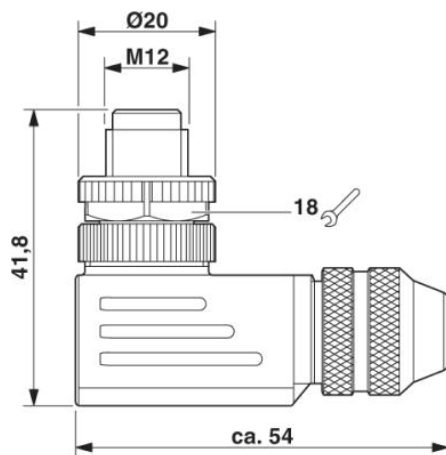


Strip conductor, widen shield and lay around the shielding ring, cut off projecting mesh.



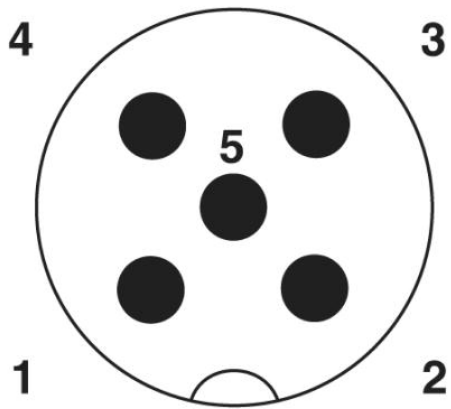
### Dimensioned drawing

M12 x 1 male connector, angled, shielded



Schematic diagram

---



Pin assignment M12 male connector, 5-pos., A-coded, male side