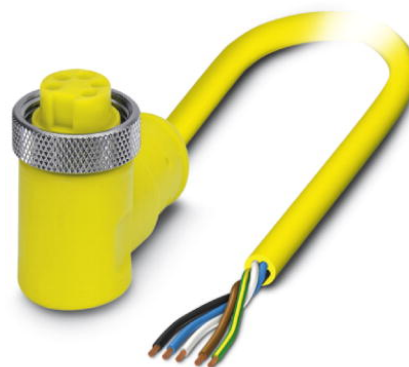



SAC-5P- 2,0-400/MINFR

Order No.: 1532182



Sensor/Actuator cable, 5-position, PVC, Yellow RAL 1021, Free conductor end, on Socket, angled 7/8" 16UNF, A-coded, Cable length: 2 m

Commercial data	
EAN	 4 046356 025225
Note	Made-to-order
Pack	1
Customs tariff	85444290
Catalog page information	Page 106 (PC-2007)

Product notes

WEEE/RoHS-compliant since:
2005-11-23



Technical data

General data	
Rated current at 40°C	5.6 A
Rated voltage	300 V
Number of positions	5
Volume resistance	$\leq 5 \text{ m}\Omega$
Insulation resistance	$\geq 10 \text{ M}\Omega$
Length of cable	2 m

General characteristics

Coding	A - standard
Surge voltage category	II
Pollution degree	2
Degree of protection	IP68
Contact material	CuSn
Contact surface material	Au
Contact carrier material	PUR
Material of grip body	PUR
Material, knurls	Nickel-plated brass
Status display	No
Test voltage	2500 V

Conductor data

Cable type	PVC yellow IEC color code
Conductor cross section	0.75 mm ²
AWG signal line	18
Conductor structure signal line	41x 0.16 mm
External cable diameter	6.80 mm
Wire colors	Black, brown, blue, white, green/yellow
External sheath, color	Yellow RAL 1021
Outer sheath, material	PVC

Certificates

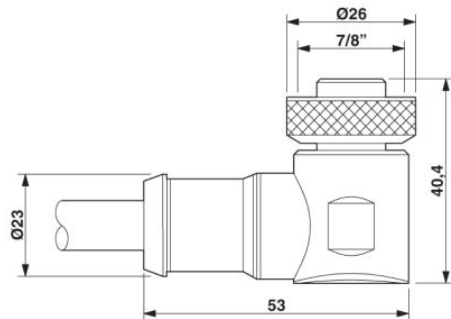


Certification

CUL Listed, UL Listed

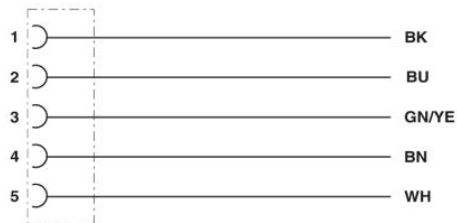
Drawings

Dimensioned drawing

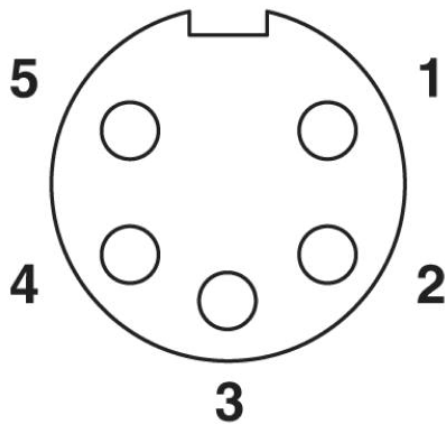


7/8"-16UNF socket, angled

Circuit diagram



Schematic diagram



Pin assignment, socket, 7/8"-16UNF, 5-pos., view of female side