


SACC-M12MRB-5SC SH

Order No.: 1513583



Sensor/actuator connector, male, angled, 5-pos., M12, shielded, B-coded, spring-cage connection, metal knurl, cable cross section max. 8 mm

Commercial data	
EAN	 4 017918 946678
Pack	1
Customs tariff	85366990
Catalog page information	Page 38 (PC-2007)

Product notes

WEEE/RoHS-compliant since:
2006-11-10



Technical data

General data

Rated current at 40°C	4 A
Rated voltage	60 V
Number of positions	5
Volume resistance	≤ 8 mΩ
Insulation resistance	≥ 100 MΩ
Ambient temperature (operation)	-40 °C ... 85 °C (Male connector / female connector)

General characteristics

Coding	B - inverse
Surge voltage category	II
Pollution degree	3
Degree of protection	IP67
Contact material	CuSn
Contact surface material	Ni/Au
Contact carrier material	PA 66
Material of grip body	Zinc die-cast, nickel-plated
Material, knurls	Nickel-plated brass
Sealing material	NBR
Type of connection	Spring-cage conn.
Conductor cross section stranded min.	0.14 mm ²
Conductor cross section stranded max.	0.5 mm ²
Conductor cross section AWG/kcmil min.	26
Conductor cross section AWG/kcmil max	20
External cable diameter	4 mm ... 8 mm
Status display	No

Certificates



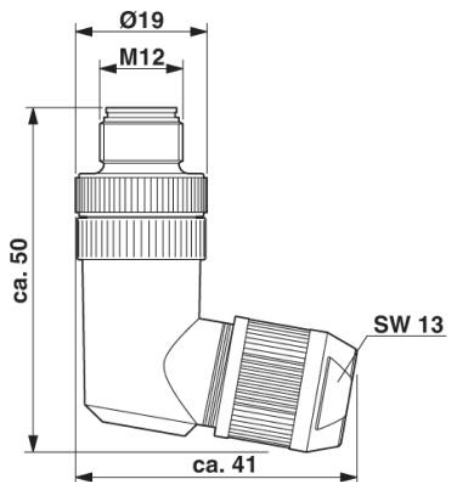
Certification

CUL, UL

Drawings

Dimensioned drawing

M12 x 1 male connector, angled, shielded



Schematic diagram

Pin assignment M12 male connector, 5-pos., B-coded, male side

