

MST Single phase control and isolation transformer P:630VA IN:230/400VAC+/-15VAC OUT:2x115VAC

Single-phase - Control and Isolation transformers
Power: 630 VA

Image

-(EN 61558)

- Isolation class T 40/B

Vicarious picture

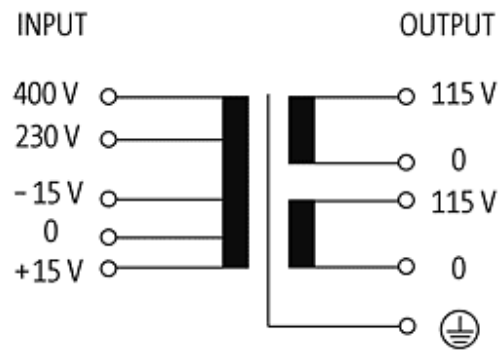
Approvals**Technical Data**

Isolation class	T 40/B
Mounting method	Key-hole mounting
Inrush current	56 A (230 V AC); 26 A (400 V AC)
Input	
Input voltage	230/400 V AC \pm 15 V AC
Frequency	50/60 Hz
Short-circuit current	72 A (230 V AC); 39 A (400 V AC)
Input current	3.0 A (230 V AC); 1.7 A (400 V AC)
Output	
Output voltage	1 \times 230 V AC, or 1 \times 115 V AC, or 2 \times 115 V AC
General data	
Standards	(EN 61558-2-4), (EN 62041) category 0
Test isolation voltage	
Temperature range	-20...+40 °C, no condensation
Dimensions H \times W \times D	112.5 \times 150 \times 146 mm
Fixing centers a \times b \times c	90.5 \times 122 \times 7 mm
Drill hole \varnothing	7 \times 11 mm

All data on this data sheet was compiled carefully.

Liability regarding correctness, completeness, and actuality is limited to gross negligence. Created: 10/12

Circuit diagram



Dimension drawing

