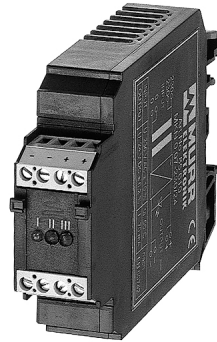


**MKN Power supply 1-phase, linear regulated IN: 230VAC OUT: 2x15V/0,06ADC**

INPUT: 230 V AC  
 INPUT: 2 × 15 V DC  
 Current: 2 × 35 mA

**Image**

- Single-phase, compact
- (EN 61558)
- stable output voltage
- touch protected (EN 60529) IP20

Vicarious picture

**Input**

Input voltage	230 V AC
Input current	approx. 20 mA
Input fuse (external)	63 mA T
Frequency	50/60 Hz

**Output**

Output voltage	2 × 15 V DC (SELV), ±5 %
Output current	max. 2 × 35 mA
Output filter	LED, VDR and smoothing capacitor
Ripple	<= 10 mV p-p
Output fuse	Short-circuit and overload protected
LED display	LED (green): in operation

**General data**

Standards	(EN 61558-2-6), (EN 62041) category 2, (EN 55011 B), (EN 61000-3-2)
Temperature range	0...+60 °C, no condensation
Mounting method	DIN-rail mountable TH35 or G32 (EN 60715)
Dimensions H × W × D	75 x 22.5 x 102 mm

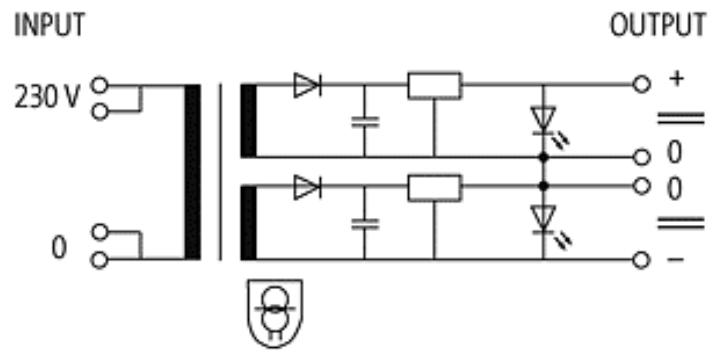
**Commercial data**

Net weight	300
Weight unit	gram
Basic unit	pc.
Customs tariff number	85044090
Unit (piece)	1
Limited value	1

**Comments**

This power supply units meet the (EN 61000-3-2) standard for harmonic current.

## Circuit diagram



## Dimension drawing

