

**MCS Power supply 3-phase, primary switched IN: 360-550VAC OUT: 24-28V/40ADC**

INPUT: 3 × 360...550 V AC

OUTPUT: 24...28 V DC

Current: 40 A

**Image**

- 3-phase, primary switched
- stable output voltage, short-circuit and overload protected
- Wide voltage input
- touch protected (EN 60529) IP20

Vicarious picture

**Approvals****Input**

Voltage range	3 × 360...550 V AC
Input current	3 × 1.7 A
Inrush current after 1 ms	max. 4 A
External fuse	max. 3 × 4 A
Frequency	50/60 Hz

**Output**

Output voltage	24 V DC (SELV), ±1 %; 24...28 V adjustable
Output current	40 A (+60 °C); 46 A (+40 °C)
Efficiency	91 %
Hold up time	<= 8 ms (440 V AC)
Ripple	max. 20 mV rms
Spikes	<= 150 mV p-p
Protection	Short-circuit and overload protected
LED display	LED (green) for output voltage
Selectable switch-off mode	front sided plug link (automatic re-start or definite shut-off)
Parallel usage/ serial usage	max. 5 units/max. 2 units

**General data**

Standards	(EN 60950-1), (EN 61204-3), (EN 55022 B)
Temperature range	0...+60 °C (storage temperature -25...+85 °C)
Mounting method	Screw fixing M4, 4 pcs. in rectangle 81 × 230 mm
Relative humidity	5...95 %, no condensation
Dimensions H × W × D × Da	242 x 106 x 270 mm

**Commercial data**

Net weight	4500
Weight unit	gram
Basic unit	pc.
Customs tariff number	85044090
Unit (piece)	1
Limited value	1

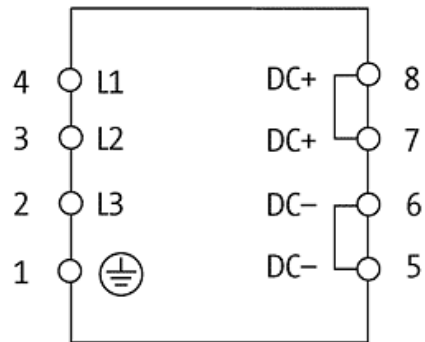
All data on this data sheet was compiled carefully.

Liability regarding correctness, completeness, and actuality is limited to gross negligence. Created: 10/12

**Comments**

This switch mode power supplies meet the (EN 61000-3-2) standard for harmonic current.

## Circuit diagram



## Dimension drawing

