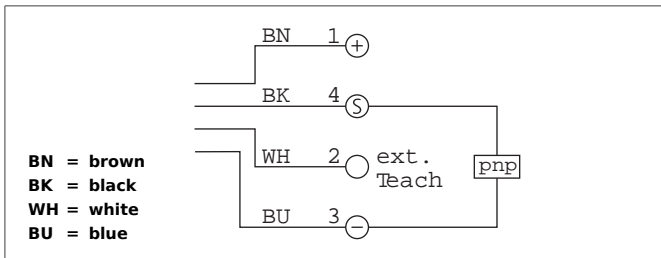


# USCRTI 18 MR 200 FPSK-BSL

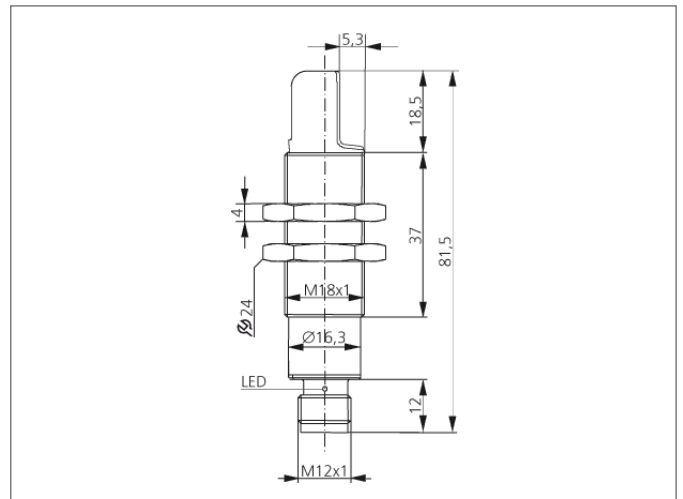
## Ultrasonic Sensor

- Ultrasonic barrier
- Sound outlet radial
- Scanning range adjustable via teach input
- Insensitive to dirt and ambient noise due to a large functional reserve
- Small blind zone
- Metal casing
- Small design
- High protection class



### Safety instructions

The Instruments are not to be used for safety applications, in particular applications in which safety of persons depends on proper operation of the instruments.  
 These instruments shall exclusively be used by qualified personnel.  
 Repair only by di-soric.



TECHNICAL INFORMATION		+20°C, 24V DC
Operating principle		Ultrasonic barrier
Size		M18 x 1 (Gewinde)
Design		screw
Tolerance		20 mm
Standardized measuring plate		20 x 20 mm
Service voltage		20 ... 30 V DC
Operating distance		0 ... 200 mm
Adjustment range		120 ... 220 mm
Switching output		Transistor pnp, 150 mA, NO
Operating frequency		400.000 Hz
Sensitivity adjustment		Remote teach
Internal power consumption		< 20 mA
Operating frequency		10 Hz
Response-/release time		50 ms
Switching hysteresis		2 mm
Ambient temperature		-25 ... +70 °C
Insulation voltage endurance		500 V
Protection class		IP 67
Casing material		brass nickel plated
Material		PBTP (Crastin) (Transducer enclosure) epoxy resin (Transducer surface)
Connection		Connector, M12, 4-poled