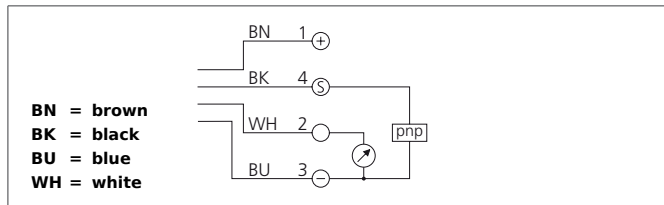
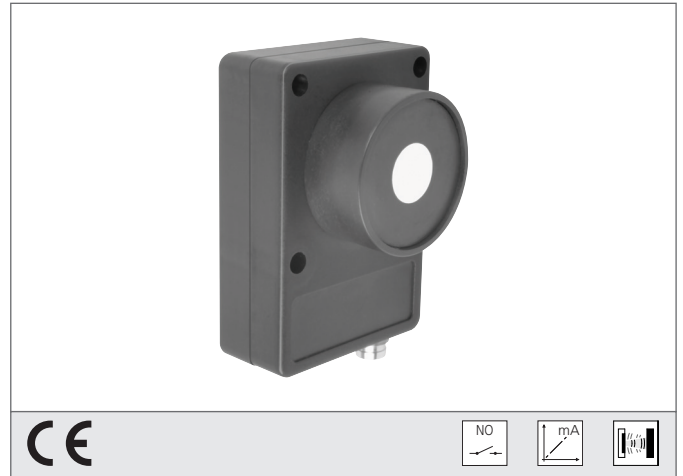


US 60 K 1000 PSI-TSSL

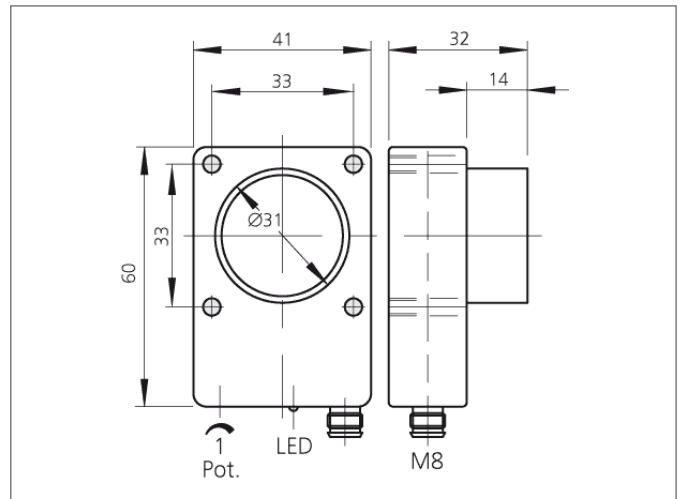
Ultrasonic Sensor

- Robust casing
- Compact design
- Scanning range adjustable
- Insensitive to dirt
- Insensitive to ambient noise
- Scanning does not depend on surface
- Switching output and analog output
- High follow-up speed
- High resolution
- Piezo-ceramic composite transducer



Safety instructions

The Instruments are not to be used for safety applications, in particular applications in which safety of persons depends on proper operation of the instruments.
 These instruments shall exclusively be used by qualified personnel.
 Repair only by di-soric.



| TECHNICAL INFORMATION | | +20°C, 24V DC |
|------------------------------|--|-------------------------------------|
| Operating principle | | Ultrasonic sensor |
| Size | | 60 x 41 x 18 mm (Dimensions) |
| Design | | cuboid design |
| Service voltage | | 15 ... 30 V DC |
| Operating distance | | 135 ... 1.000 mm |
| Resolution | | 0,2 % / Sn max. |
| Switching output | | Transistor pnp, 100 mA, NO + analog |
| Analog output | | 6,2 ... 20 mA |
| Tracking speed | | 250 ms (95% Sn max.) |
| Operating frequency | | 180.000 Hz |
| Ripple | | 20 mV |
| Linearity analog output | | < 0,5 % / Sn max. |
| Internal power consumption | | 80 mA |
| Operating frequency | | 5 Hz |
| Accuracy | | < 1 % / Sn max. |
| Response-/release time | | 130 ms / 90 ms (50% Sn max.) |
| Switching hysteresis | | 25 mm |
| Ambient temperature | | -20 ... +50 °C |
| Temperature error | | 1 % (-20 ... +50°C) |
| Load resistance | | < 400 Ω |
| Insulation voltage endurance | | 500 V |
| Protection class | | IP 67 |
| Casing material | | polyamide |

US 60 K 1000 PSI-TSSL

Ultrasonic Sensor

TECHNICAL INFORMATION

Connection

+20°C, 24V DC

Connector, M8, 4-poled