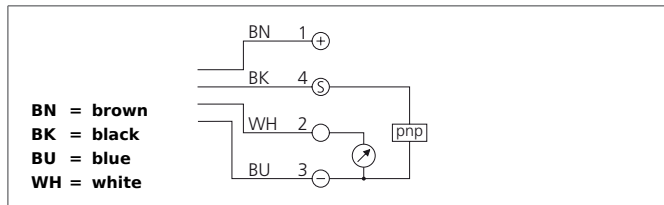
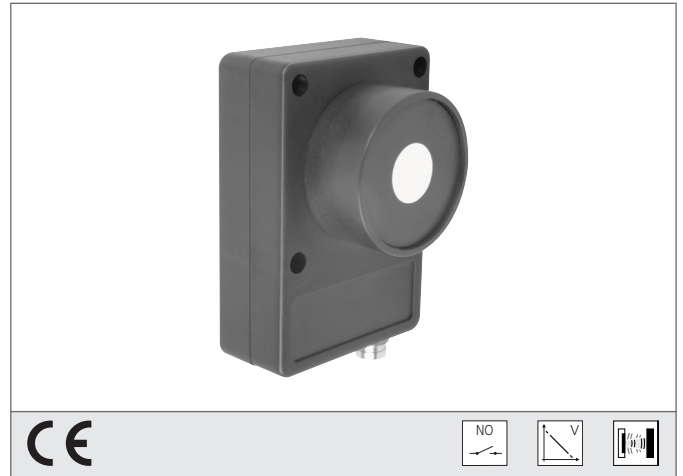


US 60 K 500 PSA-I-TSSL

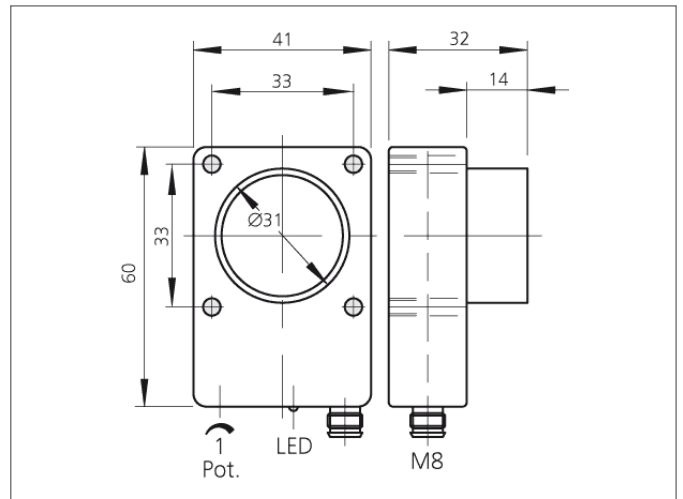
Ultrasonic Sensor

- Robust casing
- Compact design
- Scanning range adjustable
- Insensitive to dirt
- Insensitive to ambient noise
- Scanning does not depend on surface
- Switching output and analog output
- High follow-up speed
- High resolution
- Piezo-ceramic composite transducer



Safety instructions

The Instruments are not to be used for safety applications, in particular applications in which safety of persons depends on proper operation of the instruments.
 These instruments shall exclusively be used by qualified personnel.
 Repair only by di-soric.



TECHNICAL INFORMATION		+20°C, 24V DC
Operating principle		Ultrasonic sensor
Size		60 x 41 x 18 mm (Dimensions)
Design		cuboid design
Service voltage		15 ... 30 V DC
Operating distance		80 ... 500 mm
Resolution		0,2 % / Sn max.
Switching output		Transistor pnp, 100 mA, NO + analog
Analog output		8,4 ... 0 V
Tracking speed		60 ms (95% Sn max.)
Operating frequency		180.000 Hz
Ripple		60 mV
Linearity analog output		< 0,5 % / Sn max.
Internal power consumption		< 60 mA
Operating frequency		8 Hz
Accuracy		< 1 % / Sn max.
Response-/release time		50 ms / 80 ms (50% Sn max.)
Switching hysteresis		15 mm
Ambient temperature		-20 ... +50 °C
Temperature error		1 % (-20 ... +50°C)
Load resistance		> 10.000 Ω
Insulation voltage endurance		500 V
Protection class		IP 67
Casing material		polyamide

US 60 K 500 PSA-I-TSSL

Ultrasonic Sensor

TECHNICAL INFORMATION

Connection

+20°C, 24V DC

Connector, M8, 4-poled