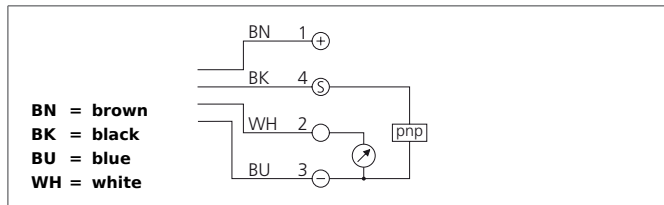
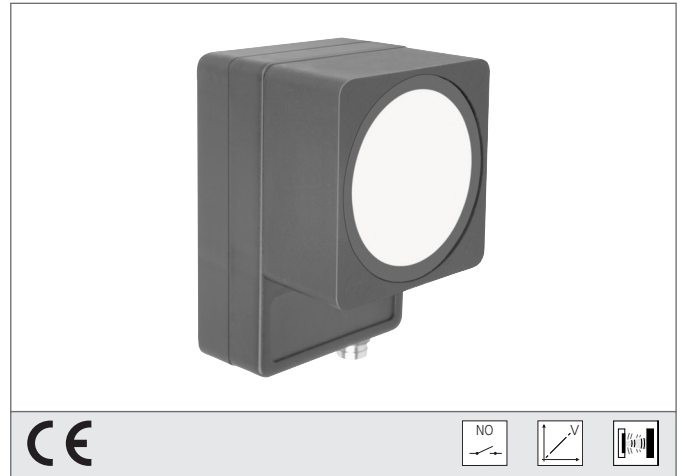


# US 60 K 5000 PSA-TSSL

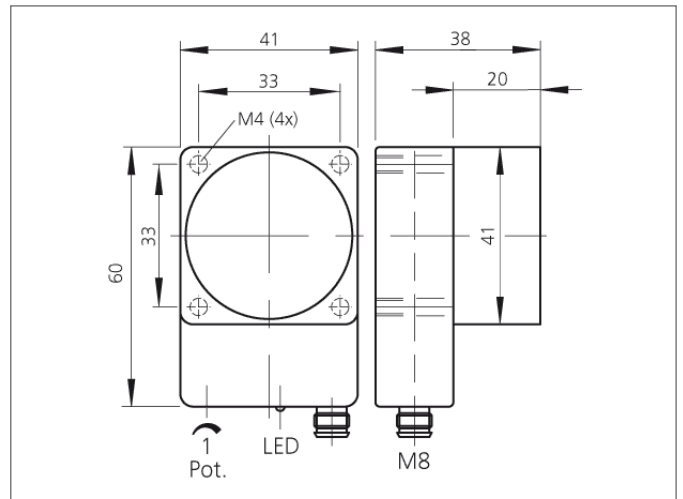
## Ultrasonic Sensor

- Robust casing
- Compact design
- Scanning range adjustable
- Insensitive to dirt
- Insensitive to ambient noise
- Scanning does not depend on surface
- Switching output and analog output
- High follow-up speed
- High resolution
- Piezo-ceramic composite transducer



### Safety instructions

The Instruments are not to be used for safety applications, in particular applications in which safety of persons depends on proper operation of the instruments.  
 These instruments shall exclusively be used by qualified personnel.  
 Repair only by di-soric.



TECHNICAL INFORMATION		+20°C, 24V DC
Operating principle		Ultrasonic sensor
Size		60 x 41 x 38 mm (Dimensions)
Design		cuboid design
Service voltage		15 ... 30 V DC
Operating distance		400 ... 5.000 mm
Resolution		0,1 % / Sn max.
Switching output		Transistor pnp, 100 mA, NO + analog
Analog output		0,8 ... 10 V
Tracking speed		2 s (95% Sn max.)
Operating frequency		80.000 Hz
Ripple		20 mV
Linearity analog output		< 0,5 % / Sn max.
Internal power consumption		65 mA
Operating frequency		2 Hz
Accuracy		< 1 % / Sn max.
Response-/release time		700 ms / 140 ms (50% Sn max.)
Switching hysteresis		80 mm
Ambient temperature		-20 ... +50 °C
Temperature error		1 % (-20 ... +50°C)
Load resistance		> 10.000 Ω
Insulation voltage endurance		500 V
Protection class		IP 67
Casing material		polyamide

# US 60 K 5000 PSA-TSSL

## Ultrasonic Sensor

### TECHNICAL INFORMATION

Connection

**+20°C, 24V DC**

Connector, M8, 4-poled