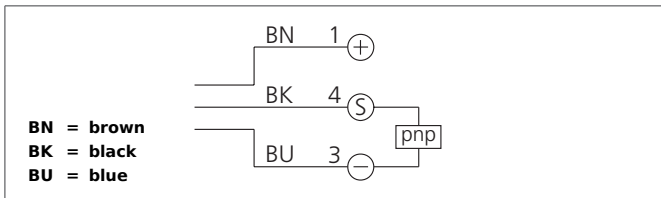


US 46 K 500 PSLK

Ultrasonic Sensor

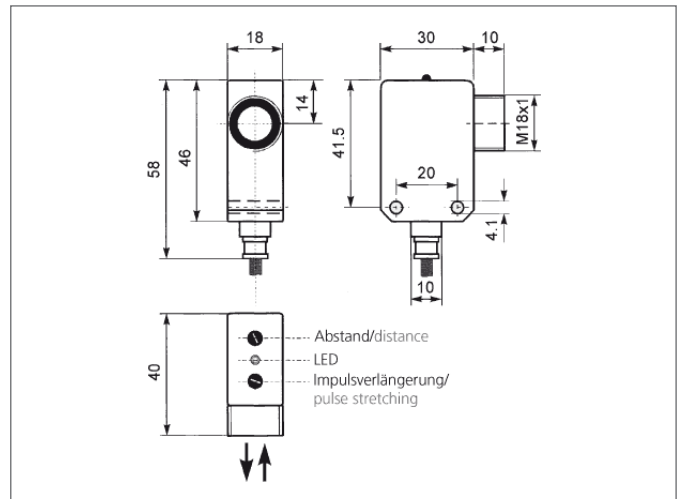
- Short blind zone
- Narrow scanning zone
- Oil-resistant
- No background effects
- Adjustable pulse stretching



Safety instructions

The Instruments are not to be used for safety applications, in particular applications in which safety of persons depends on proper operation of the instruments.

These instruments shall exclusively be used by qualified personnel.
Repair only by di-soric.



TECHNICAL INFORMATION		+20°C, 24V DC
Operating principle		Ultrasonic sensor
Size		46 x 30 x 18 mm (Dimensions)
Design		cuboid design
Service voltage		12 ... 28 V DC
Operating distance		120 ... 500 mm
Switching output		Transistor pnp, 100 mA, NO
Operating frequency		175.000 Hz
Internal power consumption		55 mA
Operating frequency		2 Hz
Response-/release time		< 10 ms / 0,4 ... 8 s adjustable
Switching hysteresis		10 %
Reproducibility		< 1 % / Sn max.
Ambient temperature		-20 ... +50 °C
Temperature drift		-0,1 %/K (switching output), -0,17 %/K (air path)
Insulation voltage endurance		500 V
Protection class		IP 67
Casing material		polyamide / V2A
Connection		Cable, 2.000 mm