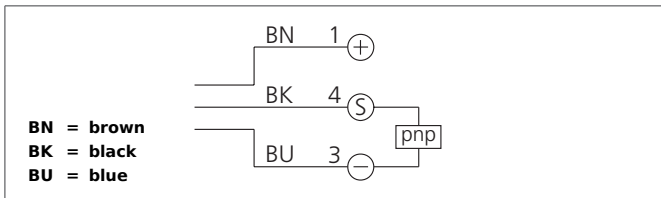
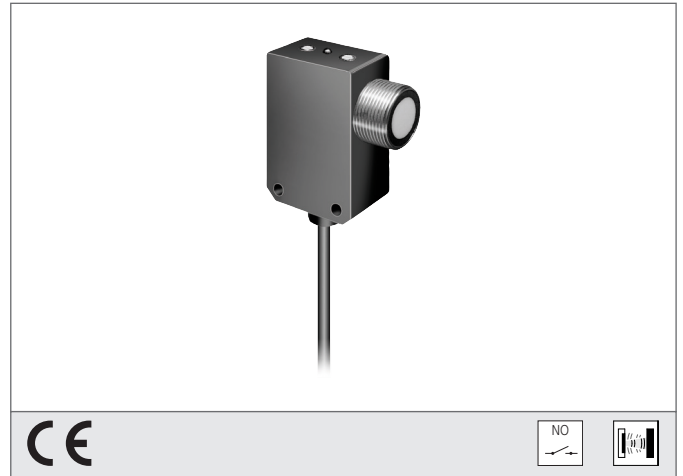


# US 46 K 150 PSLK

## Ultrasonic Sensor

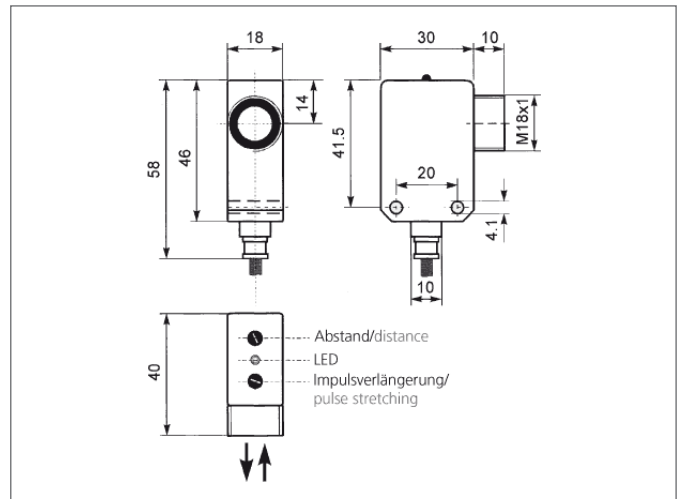
- Short blind zone
- Narrow scanning zone
- Oil-resistant
- No background effects
- Axial hysteresis adjustable



### Safety instructions

The Instruments are not to be used for safety applications, in particular applications in which safety of persons depends on proper operation of the instruments.

These instruments shall exclusively be used by qualified personnel.  
Repair only by di-soric.



TECHNICAL INFORMATION		+20°C, 24V DC
Operating principle		Ultrasonic sensor
Size		46 x 30 x 18 mm (Dimensions)
Design		cuboid design
Service voltage		12 ... 28 V DC
Operating distance		60 ... 150 mm
Switching output		Transistor pnp, 100 mA, NO
Operating frequency		350.000 Hz
Internal power consumption		45 mA
Operating frequency		15 Hz
Response-/release time		< 5 ms / < 40 ms
Switching hysteresis		10 ... 40 % adjustable
Reproducibility		< 1 % / Sn max.
Ambient temperature		-20 ... +50 °C
Temperature drift		-0,1 %/K (switching output), -0,17 %/K (air path)
Insulation voltage endurance		500 V
Protection class		IP 67
Casing material		polyamide / V2A
Connection		Cable, 2.000 mm