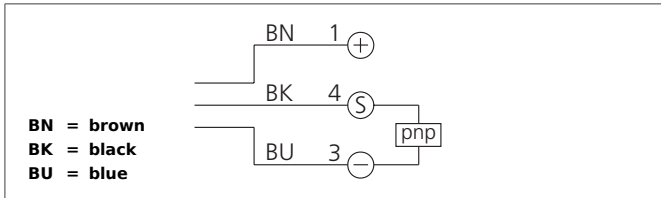


OTV 4.0 V 20 P1K

Diffuse Sensor

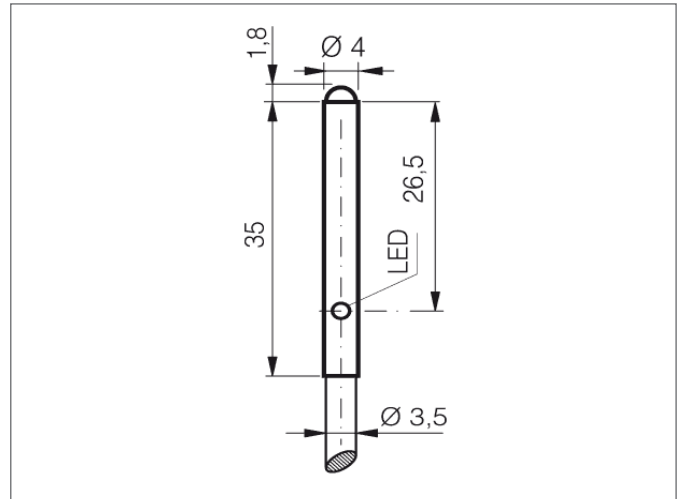
- Extremely small design
- Infrared light, clocked
- High resolution
- Functional reserve
- Cylindrical light beam



Safety instructions

The Instruments are not to be used for safety applications, in particular applications in which safety of persons depends on proper operation of the instruments.

These instruments shall exclusively be used by qualified personnel.
 Repair only by di-soric.



TECHNICAL INFORMATION		+20°C, 24V DC
Evaluation		digital
Size		Ø 4 mm (Diameter)
Design		cylinder
Emitted light		Infrared, 880 nm, clocked
Standardized measuring plate		100 x 100 mm, white
Service voltage		10 ... 36 V DC
background suppression		no
Operating distance		20 mm
Output		pnp, 100 mA, NO
Sensitivity adjustment		no setting elements
Internal power consumption		< 10 mA
Voltage drop		< 2,0 V
Operating frequency		250 Hz
Response-/release time		< 2,5 ms / < 2,5 ms
Switching hysteresis		< 10 %
Ambient temperature		-25 ... +55 °C
Temperature drift		0,3 %/K
Ambient light immunity		> 10 kLx
Insulation voltage endurance		1.000 V
Protection class		IP 67
Casing material		stainless steel
Material		glass (Window)
Connection		cable PVC, 2.000 mm