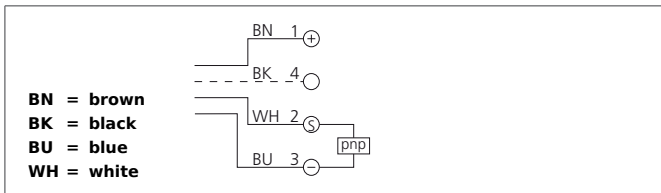


OTV 12 M 300 P2K-IBSL

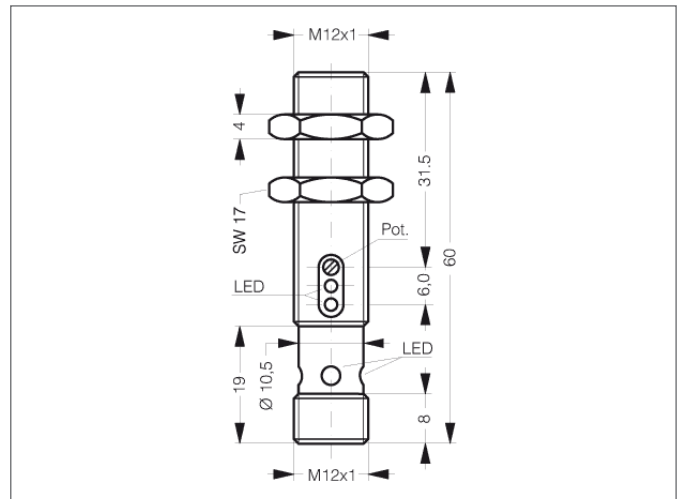
Diffuse Sensor

- Small design
- Red light clocked
- High resolution, switching accuracy, switching frequency
- Sensitivity adjustable
- LED indication of output state and functional reserve



Safety instructions

The Instruments are not to be used for safety applications, in particular applications in which safety of persons depends on proper operation of the instruments.
 These instruments shall exclusively be used by qualified personnel.
 Repair only by di-soric.



TECHNICAL INFORMATION		+20°C, 24V DC
Evaluation		digital
Size		M12 (Gewinde)
Design		screw
Emitted light		Red, 660 nm, clocked
Standardized measuring plate		200 x 200 mm, white
Service voltage		10 ... 36 V DC
background suppression		no
Operating distance		300 mm
Output		pnp, 200 mA, NC
Sensitivity adjustment		potentiometer
Internal power consumption		< 20 mA
Voltage drop		< 2,0 V
Operating frequency		1.000 Hz
Response-/release time		< 0,5 ms / < 0,5 ms
Switching hysteresis		< 10 %
Ambient temperature		-25 ... +55 °C
Temperature drift		0,3 %/K
Ambient light immunity		> 10 kLx
Insulation voltage endurance		1.000 V
Protection class		IP 67
Casing material		brass nickel plated
Material		glass (Window)
Connection		Connector, M12, 4-poled