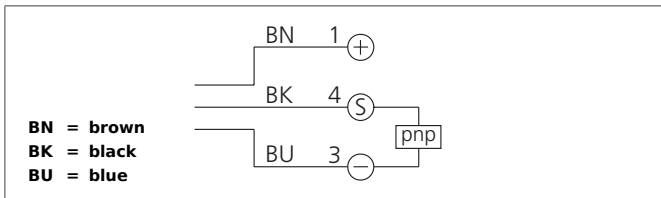


ORV 51 M 5000 P3K-TSSL

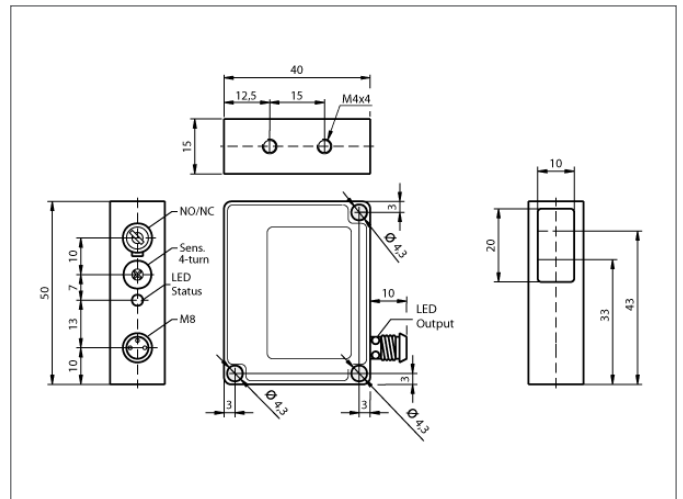
Retroreflective Sensor

- Red light clocked
- 4-turn potentiometer
- High operating frequency
- Bright LED, Connector M8 with ring LED
- Light/dark switching
- Very high contamination and functional reserve
- Robust metal casing



Safety instructions

The Instruments are not to be used for safety applications, in particular applications in which safety of persons depends on proper operation of the instruments.
 These instruments shall exclusively be used by qualified personnel.
 Repair only by di-soric.



TECHNICAL INFORMATION		+20°C, 24V DC
Evaluation		digital
Size		50 x 40 x 15 mm (Dimensions)
Design		cuboid design
Emitted light		Red, 660 nm, clocked
Operating distance		300 ... 5.000 mm
Service voltage		10 ... 35 V DC
Referring reflector		100 x 100 mm
Output		pnp, 200 mA, NO/NC, switchable
Sensitivity adjustment		potentiometer
Internal power consumption		< 40 mA
Voltage drop		< 2,0 V
Operating frequency		1.000 Hz
Response-/release time		< 0,5 ms / < 0,5 ms
Ambient temperature		-10 ... +60 °C
Ambient light immunity		> 15 kLx, Sunlight, > 2 kLx, g
Insulation voltage endurance		500 V
Protection class		IP 67
Protection degree		III, operation on protective low voltage
Casing material		die-cast zinc lacquered finish
Material		polymethyl methacrylate (Window)
Connection		Connector, M8, 3-poled