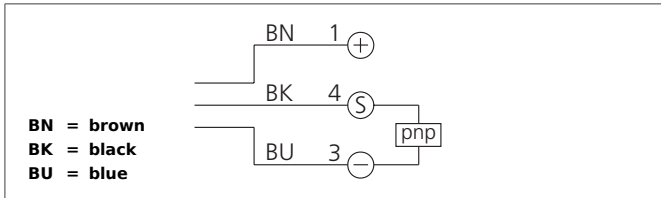


OGU 081 P3K-TSSL

Fork Light Barrier

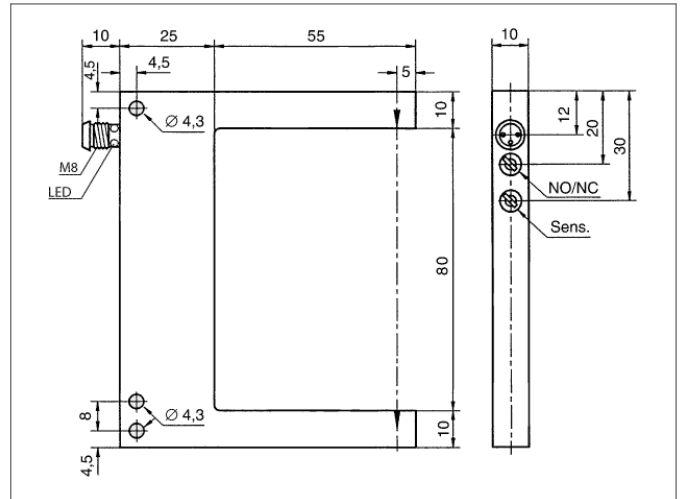
- Metal casing
- Integrated electronic module
- Sensitivity adjustable
- High operating frequency
- Light / dark switching
- Bright ring LED
- High protection class
- 3-years function guarantee* *according to our General Conditions of Export



Safety instructions

The Instruments are not to be used for safety applications, in particular applications in which safety of persons depends on proper operation of the instruments.

These instruments shall exclusively be used by qualified personnel.
 Repair only by di-soric.



TECHNICAL INFORMATION	+20°C, 24V DC
Evaluation	digital
Size	100 x 80 x 10 mm (Dimensions)
Design	fork
Fork opening	80 mm
Emitted light	Red, clocked
Service voltage	10 ... 35 V DC
Transmitter / receiver	transmitter + receiver
Output	pnp, 200 mA, NO/NC, switchable
Sensitivity adjustment	potentiometer
Internal power consumption	< 30 mA
Voltage drop	2,8 V
Operating frequency	4.000 Hz
Resolution	Ø 0,5 mm
Switching hysteresis	< 0,25 mm
Reproducibility	0,06 mm
Ambient temperature	-10 ... +60 °C
Ambient light immunity	> 40 kLx
Insulation voltage endurance	500 V
Protection class	IP 67
Casing material	die-cast zinc black lacquered finish
Connection	Connector, M8, 3-poled