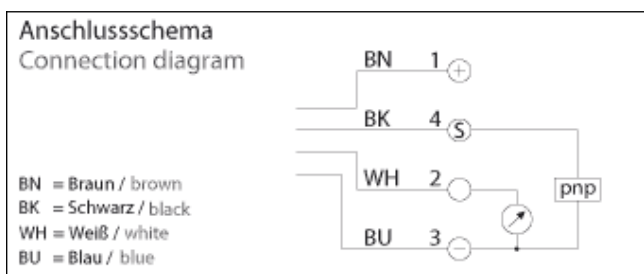
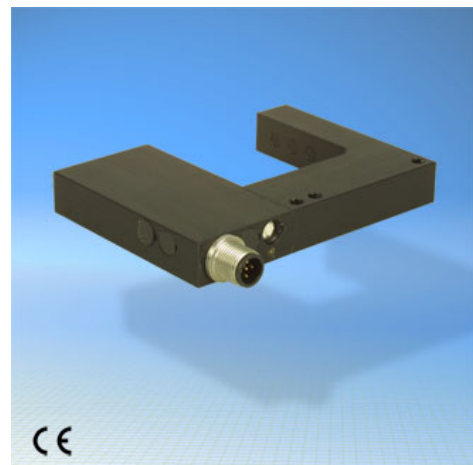


OGU 050/20 IP3K-IBS

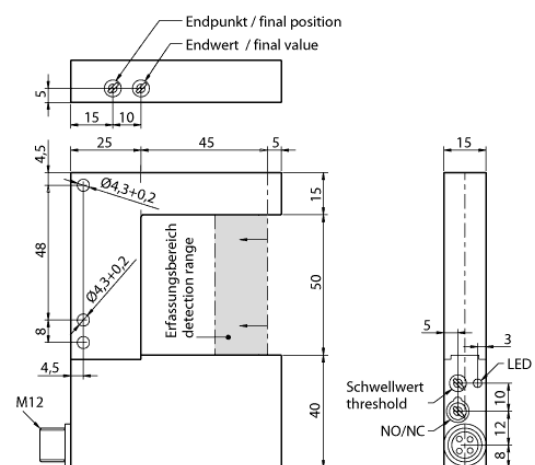
Fork light barrier

- Different measuring ranges
- Analog output
- IR-light
- Metal casing
- LED integrated in housing



Safety instructions

These instruments shall exclusively be used by qualified personnel. The instruments are not to be used for safety applications, in which safety of persons depends on proper operation of the instruments.



Technical Details (typ.)

Resolution	Ø 0,5 mm
Detection range	20,0 mm
Analog output	4 ... 20 mA
Emitted light	infrared, clocked
Sensitivity adjustment	potentiometer
Operating frequency	2.000 Hz (dependent on the adjusted threshold value)
Service voltage	15 ... 35 V DC
Output	pnp, 200 mA, NO/NC switchable
Internal power consumption	< 80 mA
Voltage drop	< 2,8 V
Switching hysteresis	< 10 %
Reproducibility	0,05 mm
Linearity error	5 %
Ambient temperature	+5 ... +50 °C
Ambient light immunity	10.000 Lux
Insulation voltage endurance	500 V
Protection class	IP 67
Casing material	aluminium, black anodized
Connection	connector M12, 4 pin