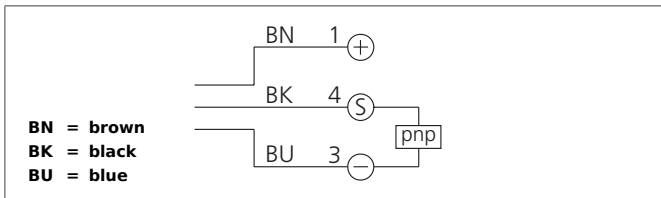


OGU 020 P3K-TSSL

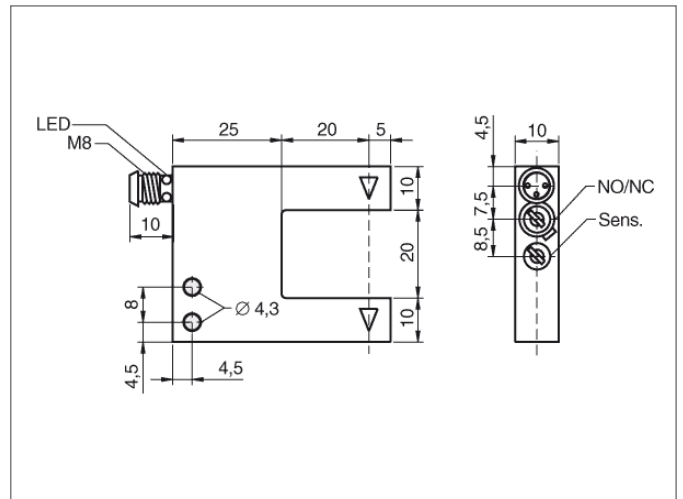
Fork Light Barrier

- Metal casing
- Integrated electronic module
- Sensitivity adjustable
- High operating frequency
- Light / dark switching
- Bright ring LED
- High protection class
- 3-years function guarantee* *according to our General Conditions of Export



Safety instructions

The Instruments are not to be used for safety applications, in particular applications in which safety of persons depends on proper operation of the instruments.
 These instruments shall exclusively be used by qualified personnel.
 Repair only by di-soric.



TECHNICAL INFORMATION		+20°C, 24V DC
Evaluation		digital
Size		40 x 50 x 10 mm (Dimensions)
Design		fork
Fork opening		20 mm
Emitted light		Infrared, clocked
Service voltage		10 ... 35 V DC
Transmitter / receiver		transmitter + receiver
Output		pnp, 200 mA, NO/NC, switchable
Sensitivity adjustment		potentiometer
Internal power consumption		< 30 mA
Voltage drop		2,8 V
Operating frequency		4.000 Hz
Resolution		Ø 0,4 mm
Switching hysteresis		< 0,1 mm
Reproducibility		0,02 mm
Ambient temperature		-10 ... +60 °C
Ambient light immunity		> 40 kLx
Insulation voltage endurance		500 V
Protection class		IP 67
Casing material		die-cast zinc black lacquered finish
Connection		Connector, M8, 3-poled