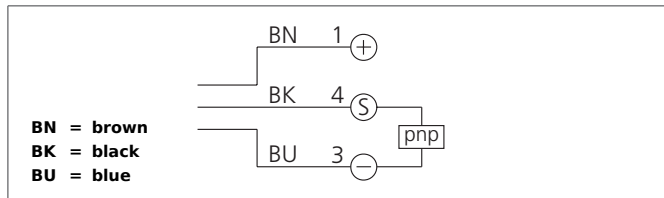


# ODG 30 P3K-TSSL

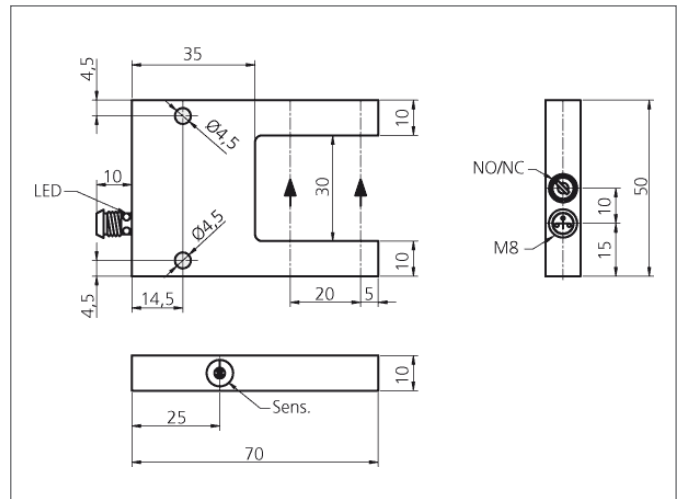
## Differential Fork Light Barrier

- High resolution
- Metal casing
- Integrated electronic module
- Sensitivity adjustable
- High operating frequency
- Light / dark switching
- Bright ring LED
- 3-years function guarantee\* \*according to our General Conditions of Export



### Safety instructions

The Instruments are not to be used for safety applications, in particular applications in which safety of persons depends on proper operation of the instruments.  
 These instruments shall exclusively be used by qualified personnel.  
 Repair only by di-soric.



TECHNICAL INFORMATION		+20°C, 24V DC
Evaluation		difference
Size		50 x 70 x 10 mm (Dimensions)
Design		fork
Fork opening		30 mm
Emitted light		Infrared, non-clocked
Service voltage		12 ... 35 V DC
Transmitter / receiver		transmitter + receiver
Output		pnp, 200 mA, NO/NC, switchable
Sensitivity adjustment		potentiometer
Internal power consumption		< 35 mA
Voltage drop		2,5 V
Operating frequency		5.000 Hz
Resolution		Ø 0,07 mm
Switching hysteresis		< 0,2 mm
Reproducibility		0,01 mm
Ambient temperature		0 ... +60 °C
Insulation voltage endurance		500 V
Protection class		IP 67
Casing material		Aluminium black anodized
Connection		Connector, M8, 3-poled
Signal input		< 2,5 V