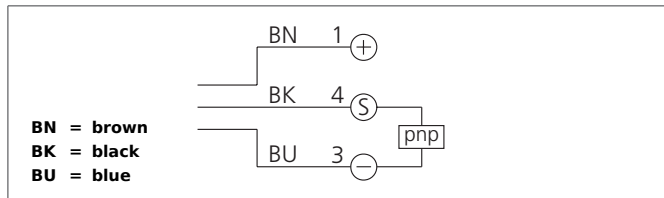


LHT 51 M 200 P3K-TSSL

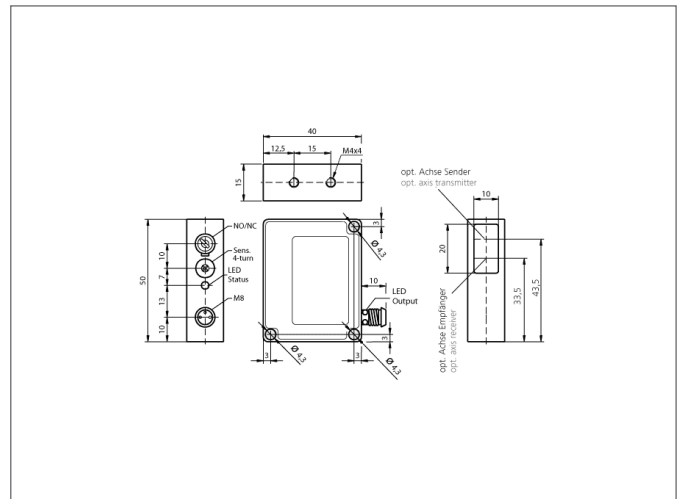
Laser Diffuse Sensor with Background Suppression

- Automatic adjustment of transmit power
- red light laser, clocked with small laser spot
- 4-turn potentiometer
- Electronical background suppression
- Functional reserve indicator/contamination indicator
- Bright LED, Connector M8 with ring LED
- Light/dark switching



Safety instructions

Inproper use may result in hazardous radiation exposure. Pay attention to accident prevention rules and laser class. The instruments are not to be used for safety applications, in particular applications in which safety of persons depends on proper operation of the instruments. These instruments shall exclusively be used by qualified personnel. Repair only by di-soric.



TECHNICAL INFORMATION		+20°C, 24V DC
Evaluation		digital
Size		50 x 40 x 15 mm (Dimensions)
Design		cuboid design
Emitted light		Red light laser, 650 nm, clocked
Service voltage		10 ... 35 V DC
background suppression		yes
Diameter of light spot		Ø 1,5 mm
Operating distance		50 ... 200 mm
Laser class		2 (EN 60825-1)
Output		pnp, 200 mA, NO/NC, switchable
Sensitivity adjustment		potentiometer
Internal power consumption		< 45 mA
Voltage drop		< 2,0 V
Operating frequency		500 Hz
Response-/release time		< 1 ms / < 1 ms
Ambient temperature		-10 ... +50 °C
Temperature drift		0,3 %/K
Ambient light immunity		5 kLx
Insulation voltage endurance		500 V
Protection class		IP 67
Protection degree		III, operation on protective low voltage
Casing material		die-cast zinc lacquered finish
Material		polymethyl methacrylate (Window)

LHT 51 M 200 P3K-TSSL

Laser Diffuse Sensor with Background Suppression

TECHNICAL INFORMATION

Connection

+20°C, 24V DC

Connector, M8, 3-poled