

Proximity Sensors Capacitive Level Detector, Flat Pack Polycarbonate Housing Type VC 5510



- Adjustable sensing distance 2-10 mm
- Rated operational voltage: 5 to 30 VDC
- Output: DC 100 mA, NPN or PNP
- Output: ON/OFF delay or no delay
- Make or break switching function
- LED indication when activated
- 1.5 m PVC cable
- IP65

Product Description

Capacitive level detector in flat pack housing, size 35 x 55 x 15 mm. Easy mounting with two M4 screws. Typical applications are in whirlpools (jacuzzis) for switching ON/-

OFF the heating element, starting and stopping the air pump, controlling the level of the water, the level of the disinfection fluid etc.

Ordering Key

VC 55 10 NNOPT

Type _____
 Housing _____
 Range _____
 Output type _____
 Housing material _____
 Output ON/OFF delay _____

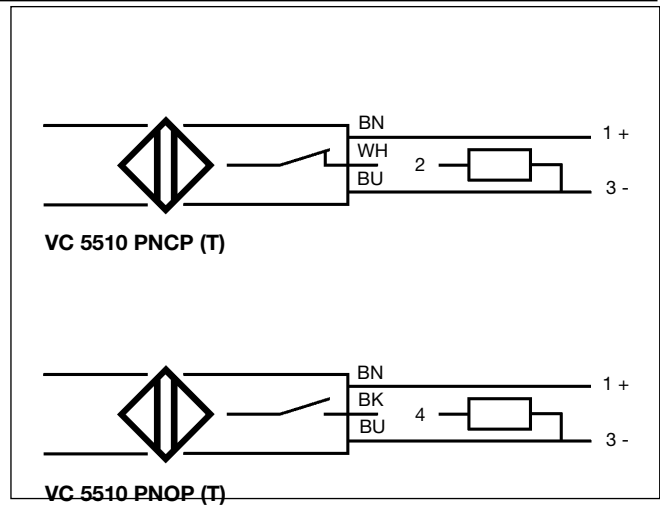
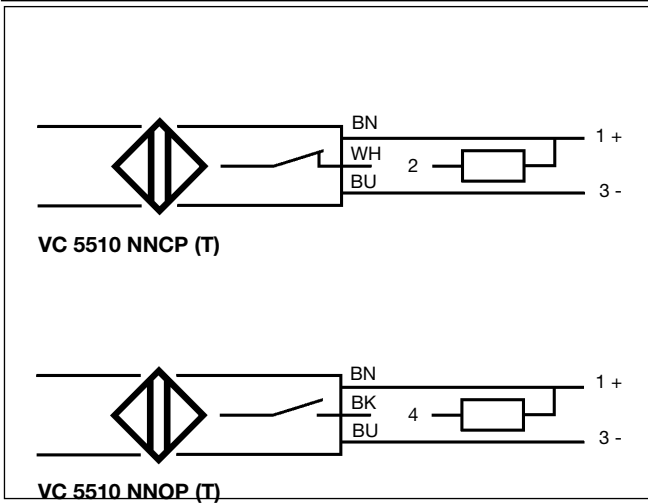
Type Selection

Housing dimensions W x H x D	Rated operating dist. (S _n)	Output	Ordering no. NPN Make switching	Ordering no. NPN Break switching	Ordering no. PNP Make switching	Ordering no. PNP Break switching
35 x 55 x 15	10 mm	No delay	VC 5510 NNOP	VC 5510 NNCP	VC 5510 PNOP	VC 5510 PNCP
35 x 55 x 15	10 mm	ON/OFF delay	VC 5510 NNOPT	VC 5510 NNCPT	VC 5510 PNOPT	VC 5510 PNCPT

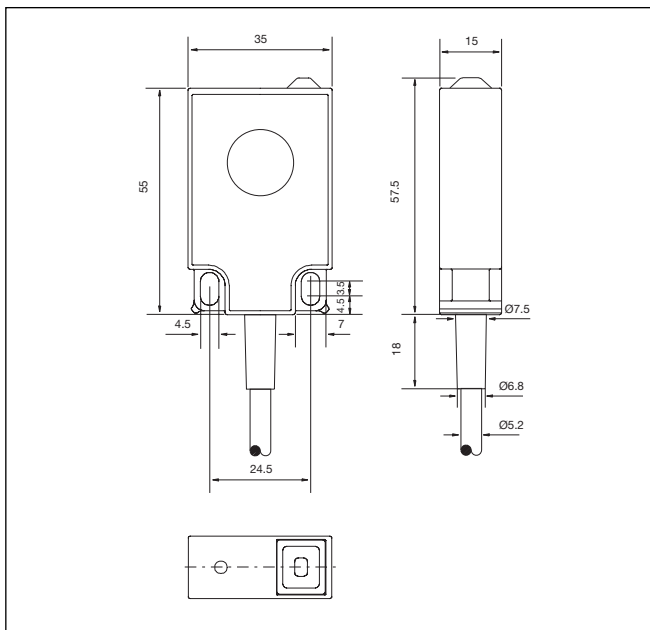
Specifications

Rated operation dist. (S _n)	2-10 mm factory set at 10 mm	Frequency of operating cycles (delay times)	> 0.1 Hz (depending upon delay time)
Sensitivity	Adj. single turn pot. meter	Delay xNxPT	ON OFF 1 _s < t _{ON} < 5 _s (typ.3s) 1 _s < t _{OFF} < 5 _s (typ.3s)
Effective operating dist. (S _r)	0.9 x S _n ≤ S _r ≤ 1.1 x S _n	Indication when activated	LED, red
Usable operating dist. (S _u)	0.8 x S _r ≤ S _u ≤ 1.2 x S _r	Environment Degree of protection	IP65
Assured operating dist. (S _a)	0 ≤ S _a ≤ 0.81 S _n	Temperature	Operating temperature -0° to +50°C (+32° to +122°F) Storage temperature -30° to +80°C (-22° to +176°F)
Hysteresis (H)	3-20% of sensing dist.	Housing material	PC/ABS, grey
Rated operational volt. (U _e)	5 to 30 VDC (ripple included)	Connection Cable	1.5 m, 3 x 0.3 mm ² grey PVC, oil proof
Ripple	≤ 10%	Weight	40 g
Rated operational current (I _e) Continuous	≤ 100 mA	Approvals	UL
No-load supply current (I _o)	≤ 10 mA	CE-marking	Yes
Voltage drop (U _d)	≤ 1.5 VDC at max. load		
Power ON delay xNxP xNxPT	Max. 40 ms Max. 5 s		

Wiring Diagrams



Dimensions



Delivery Contents

- Capacitive switch: VC 5510
- Packaging: plastic bag