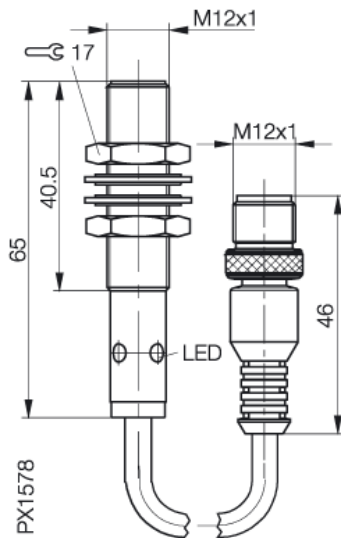


BAW M12MG2-IAC20B-BP00,2-GS04
Inductive Distance Sensors

0,5...2 mm
 0...20 mA



Electrical data:

Connection	cable with connector
Rated operational voltage DC	24 V
Rated insulation voltage (Ui)	250 AC
Electrical type	DC
Supply voltage ripple	15 %
Switching element function	0...20 mA
Supply voltage max. (Ub)	30 V
Supply voltage min. (Ub)	10 V
Output current at se	10 mA
Output current at sl max	20,0 mA
Output current at sl min	0,0 mA
Cutoff frequency (-3dB output amplitude)	500 Hz
Load resistance max (RI)	500 Ohm
Temperature compensation	no
Linear range max (sl)	2 mm
Linear range min (sl)	0,5 mm
Non-linearity	±45 µm
Output signal	0...20 mA

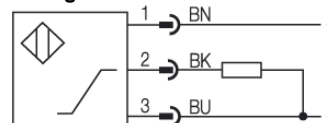
General data:

Supply voltage indicator	no
Degree of protection IP	IP 67
Insulation class	2
Recommended connector	BKS-_19
Polarity reversal resistant	yes
Protected against reversal	yes

Mechanical data:

Midpoint of linear range (se)	1,25 mm
Cable code designation	LifY-Y-11Y-0
Cable length	0,2 m
Connection type	M12x1-S04
Mounting	flush mountable
Surface treatment	nickel plated
Ambient temperature max (Ta)	70 °C
Ambient temperature min (Ta)	-10 °C
Sensing face material	PA 12
Housing material	CuZn
Cable sheath material	PUR
Repeatability	3 %
Cable diameter D	5,1 mm
Working area max (sa)	2 mm
Working area min (sa)	0,5 mm
Time delay before available max	0,5 ms
Measurement velocity	40 m/s
Opt. working temperature max.	50 °C
Opt. working temperature min.	10 °C
Temperature coefficient max.	-3,0 µm/K
Temperature coefficient min.	0,0 µm/K
Temperature coefficient typ.	-1,0 µm/K
Repeat accuracy	±5,0 µm
Adjustment indicator	yes
Working range	0,5...2 mm

Wiring:



Pinout:

